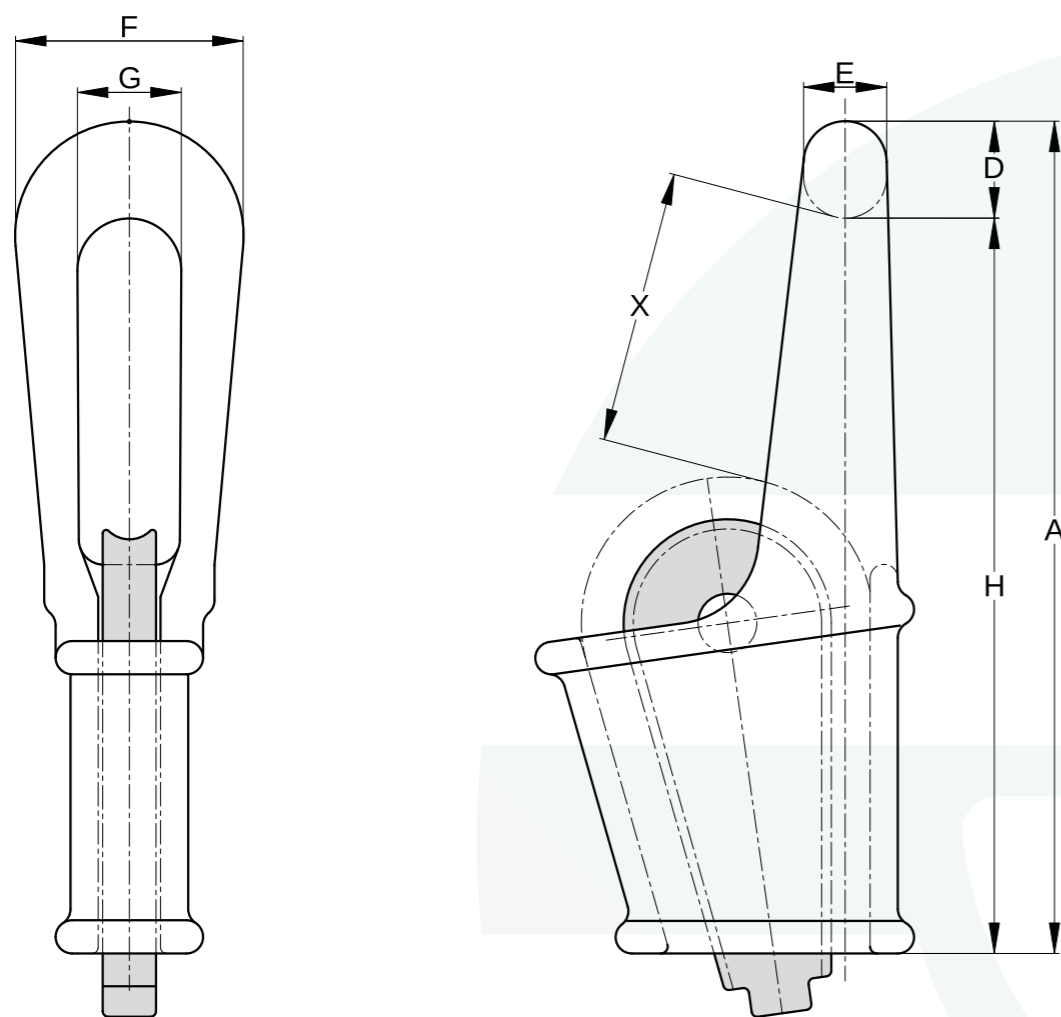




Closed Wedge Sockets



AQUALLINE CLOSED WEDGE SOCKET. MM DIMENSIONS

Model Number	MBL (Mtons)	For Wire Rope Ø mm	Dimensions (mm)							Weight (kg)
			A	D	E	F	G	H	X	
CWS 303	40	17 - 19	317	40	36	100	42	277	100	7
CWS 304	55	20 - 22	368	45	40	115	50	323	110	9
CWS 305	80	23 - 26	422	52	45	130	60	370	125	14
CWS 306	100	27 - 29	473	58	50	150	65	415	140	22
CWS 307	120	30 - 32	519	62	55	160	72	457	160	30
CWS 308	130	34 - 36	580	66	60	168	76	514	175	38
CWS 309	160	37 - 39	620	72	66	175	82	548	190	49
CWS 310	200	40 - 42	665	80	72	195	90	585	210	65
CWS 311	250	43 - 48	750	90	80	220	100	660	240	110
CWS 312	300	49 - 52	820	100	90	242	110	720	260	140
CWS 313	375	54 - 58	890	106	95	255	120	784	280	170
CWS 314	450	60 - 68	1045	120	105	280	130	925	330	240
CWS 315	600	72 - 76	1200	140	120	330	150	1060	400	380
CWS 316	650	81 - 86	1340	155	130	375	170	1185	475	490

AQUALLINE CLOSED WEDGE SOCKET. INCH DIMENSIONS

Model Number	MBL (Mtons)	For Wire Rope Ø inch	Dimensions (inch)							Weight (lbs)
			A	D	E	F	G	H	X	
CWS 303	40	3/4	12.50	1.60	1.40	4.00	1.65	10.90	4.00	15.5
CWS 304	55	7/8	14.50	1.80	1.60	4.50	2.00	12.70	4.30	20
CWS 305	80	1	16.60	2.00	1.80	5.10	2.30	14.60	5.00	31
CWS 306	100	1 1/8	18.60	2.30	2.00	5.90	2.60	16.30	5.50	49
CWS 307	120	1 1/4	20.50	2.50	2.15	6.30	2.80	18.00	6.30	66
CWS 308	130	1 3/8	22.80	2.60	2.50	6.60	3.00	20.20	7.00	84
CWS 309	160	1 1/2	24.40	2.80	2.60	6.90	3.20	21.60	7.50	108
CWS 310	200	1 5/8	26.20	3.15	2.80	7.70	3.50	23.00	8.25	145
CWS 311	250	1 3/4 - 1 7/8	29.50	3.50	3.15	8.70	4.00	26.00	9.50	240
CWS 312	300	2	32.30	4.00	3.50	9.50	4.30	28.30	10.25	310
CWS 313	375	2 1/4	35.00	4.20	3.70	10.00	4.70	30.80	11.00	370
CWS 314	450	2 1/2	41.10	4.70	4.10	11.00	5.10	36.40	13.00	530
CWS 315	600	3	47.20	5.50	4.70	13.00	5.90	41.70	15.75	840
CWS 316	650	3 1/4 - 3 3/8	52.80	6.10	5.10	14.80	6.70	46.60	18.70	1180

MBL = Minimum Breaking Load

X = Depending on the actual wire rope diameter, rope construction and fill factor

All sockets are supplied with hot dipped galvanized finish or available in aqua-blue primer (RAL 5018).

For more information read our 'Warnings and instructions for use'.

Available for wire rope sizes from \varnothing 17 mm to \varnothing 86 mm (3/4" to 3 3/8") with an efficiency rating of 85-92%. Meets the performance requirements of the EN 13411-6 norm.