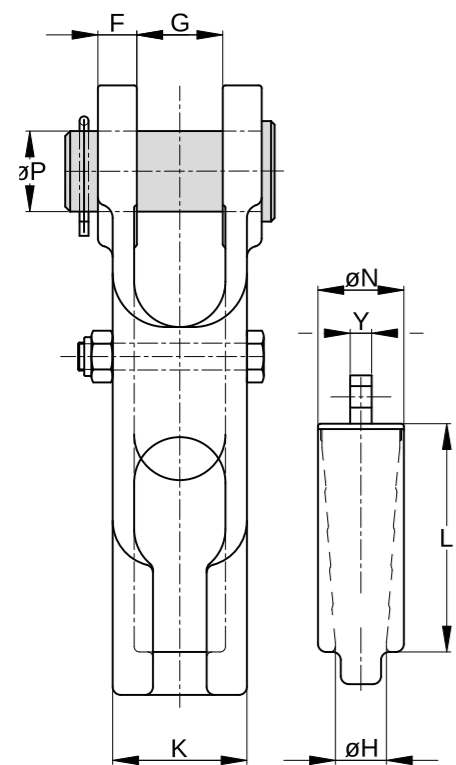


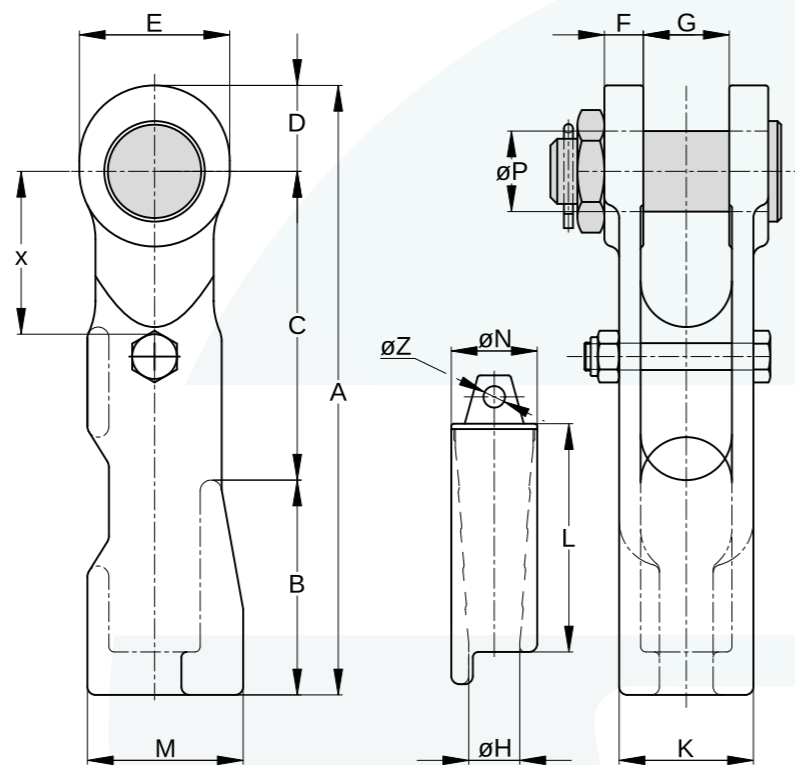


Fast Connector Sockets

with pin



with bolt



AQUALLINE FAST CONNECTOR SOCKET. MM DIMENSIONS

Model Number	MBL (Mtons)	For Wire Rope Ø mm	Approx. Resin Volume (cc)	Dimensions (mm)																Weight (kg)
				A	B	C	D	E	F	G	ØH	K	L	M	ØN	ØP	X	Y	ØZ	
FCS 701	20	11 - 13	35	190	65	97	28	48	12.5	26	15	40	70	47	26	25	45	8	8	1.7
FCS 702	25	13 - 16	50	227	80	115	32	56	14.5	32	19	50	84	58	32	30	58	8	8	2.6
FCS 703	40	17 - 19	80	260	90	130	40	68	16.5	38	22	60	98	70	39	35	64	10	10.5	3.9
FCS 704	55	20 - 22	125	303	110	145	48	80	20.5	45	26.5	69	117	80	45	41	82	12	12	6.7
FCS 705	80	23 - 26	160	365	125	182	58	98	22.5	51	29.5	80	138	93	52	51	95	12	12	10.5
FCS 706	100	27 - 29	210	400	140	195	65	110	25	57	33.5	90	157	104	58	57	97	12	12	13.5
FCS 707	120	30 - 32	350	426	150	205	72	124	28	63	36.5	98	170	111	64	63	100	14	12	19
FCS 708	130	34 - 36	425	465	170	220	76	132	28	70	40	102	183	117	68	63	110	16	14	23
FCS 709	160	37 - 39	500	502	182	240	80	140	30	76	43	110	207	125	76	70	115	17	17.5	41
FCS 710	200	40 - 42	700	550	200	265	85	148	33	76	48	126	230	142	85	76	125	20	20	50
FCS 711	250	43 - 48	1250	620	225	300	98	170	39	89	56	140	260	157	95	89	135	20	20	65
FCS 712	300	49 - 52	1425	685	240	335	108	186	46	101	60	157	285	175	104	95	150	25	23	80
FCS 713	375	54 - 58	2000	760	275	365	120	210	53	113	66	170	330	185	118	108	165	25	23	107

AQUALLINE FAST CONNECTOR SOCKET. INCH DIMENSIONS

Model Number	MBL (Mtons)	For Wire Rope Ø inch	Approx. Resin Volume (cc)	Dimensions (inch)																Weight (lbs)
				A	B	C	D	E	F	G	ØH	K	L	M	ØN	ØP	X	Y	ØZ	
FCS 701	20	7/16 - 1/2	35	7.50	2.60	3.80	1.10	1.90	0.50	1.00	0.60	1.60	2.80	1.90	1.03	1.00	1.80	0.31	0.31	3.8
FCS 702	25	1/2 - 5/8	50	8.90	3.10	4.50	1.30	2.20	0.57	1.26	0.75	2.00	3.30	2.30	1.26	1.18	2.30	0.31	0.31	5.8
FCS 703	40	2/3 - 3/4	80	10.20	3.50	5.10	1.60	2.70	0.65	1.50	0.85	2.36	3.90	2.80	1.50	1.38	2.50	0.39	0.41	8.6
FCS 704	55	7/8	125	11.90	4.30	5.70	1.90	3.10	0.81	1.77	1.05	2.70	4.60	3.10	1.77	1.60	3.20	0.47	0.47	15
FCS 705	80	1	160	14.40	4.90	7.20	2.30	3.60	0.89	2.00	1.16	3.10	5.40	3.70	2.00	2.00	3.70	0.47	0.47	23
FCS 706	100	1 1/8	210	15.70	5.50	7.70	2.60	4.30	1.00	2.25	1.32	3.50	6.20	4.10	2.30	2.25	3.80	0.47	0.47	30
FCS 707	120	1 1/4	350	16.80	5.90	8.10	2.80	4.90	1.10	2.50	1.44	3.90	6.70	4.40	2.50	2.50	3.90	0.47	0.47	42
FCS 708	130	1 3/8	425	18.30	6.70	8.70	3.00	5.20	1.10	2.75	1.58	4.00	7.20	4.60	2.70	2.50	4.30	0.63	0.56	51
FCS 709	160	1 1/2	500	19.80	7.20	9.50	3.10	5.50	1.20	3.00	1.70	4.30	8.20	4.90	3.00	2.75	4.50	0.67	0.69	90
FCS 710	200	1 5/8	700	21.70	7.90	10.40	3.30	5.80	1.30	3.00	1.90	5.00	9.10	5.60	3.30	3.00	4.90	0.78	0.78	110
FCS 711	250	1 3/4 - 1 7/8	1250	24.40	8.90	11.80	3.90	6.70	1.53	3.50	2.20	5.50	10.20	6.20	3.70	3.50	5.30	0.78	0.78	145
FCS 712	300	2	1425	27.00	9.50	13.20	4.30	7.30	1.81	4.00	2.36	6.20	11.20	6.90	4.10	3.75	5.90	1	0.88	175
FCS 713	375	2 1/4	2000	30.00	10.80	14.40	4.70	8.25	2.10	4.45	2.60	6.70	13.00	7.30	4.66	4.25	6.50	1	0.88	235

MBL = Minimum Breaking Load

All sockets are supplied with zinc plated finish. FCS 704 - FCS 713 are also available in aqua-blue primer (RAL 5018).

For more information read our 'Warnings and instructions for use'.

Available for wire rope sizes from Ø 11 mm to Ø 58 mm (7/16" to 2 1/4") with an efficiency rating of 100%. Standard version with pin and cotter pin. Also available with bolt, nut and cotter pin. Each Fast Connector Socket contains a Connector Fitting with a non-rotating device. The Connector Fitting Cap is suitable for commercial bow shackles that are designed according to EN13889 or Fed. Spec RR-C.271.