



Mobile Harbor Crane Sockets

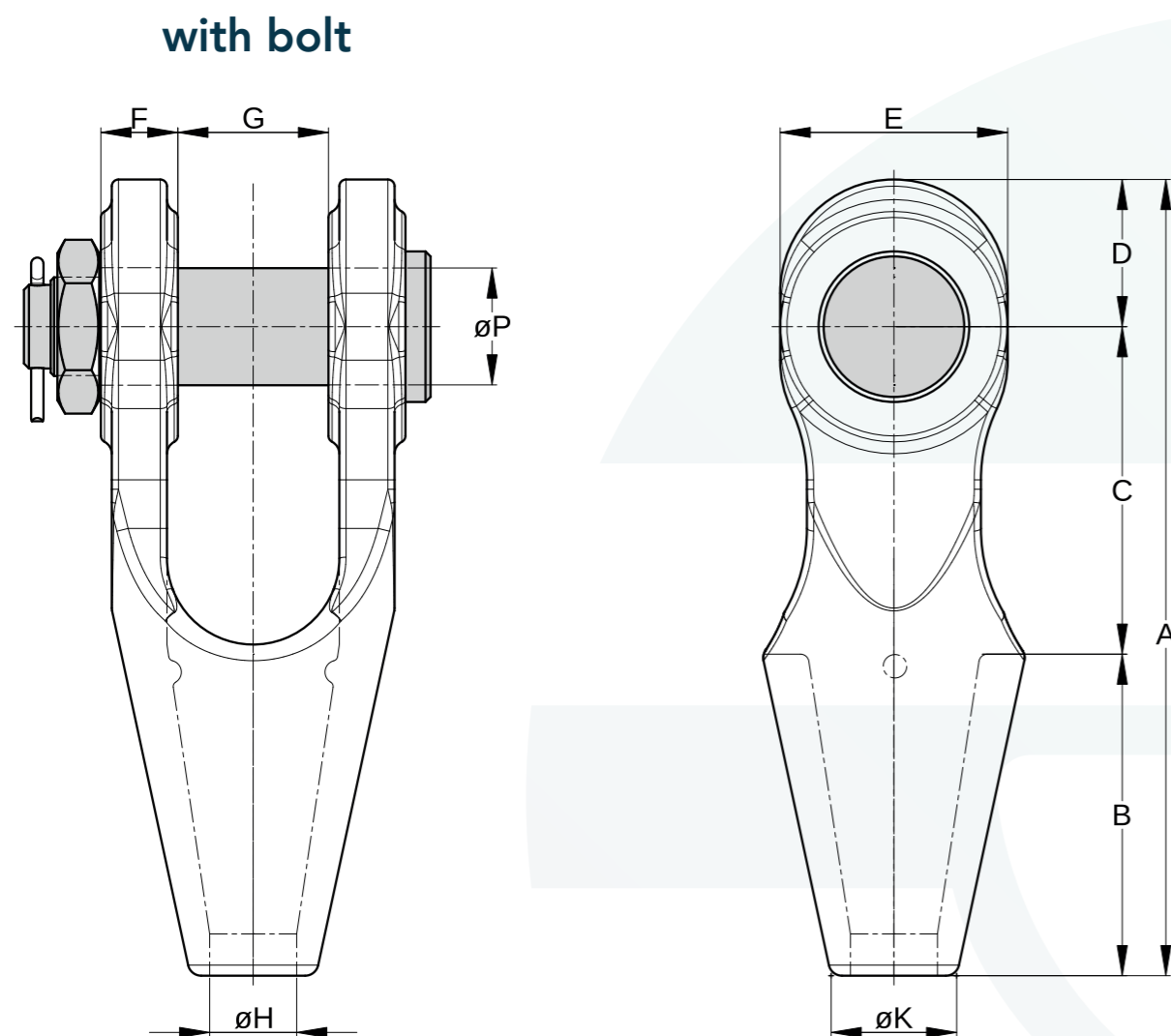
AQUALLINE MOBILE HARBOR CRANE SOCKET. MM DIMENSIONS

| Model Number | Equivalent of Model Number | Compatible with Model Number | MBL (Mtons) | For Wire Rope \varnothing mm | Approx. Resin Volume (cc) | Dimensions (mm) | | | | | | | | | | Weight (kg) |
|--------------|----------------------------|------------------------------|-------------|--------------------------------|---------------------------|-----------------|-----|-----|-----|-----|----|-----|-----------------|-----------------|-----------------|-------------|
| | | | | | | A | B | C | D | E | F | G | \varnothing H | \varnothing K | \varnothing P | |
| MHCS 6 | OSS 116 | Gottwald 6 | 125 | 31 - 34 | 500 | 365 | 155 | 150 | 60 | 110 | 37 | 70 | 42 | 60 | 55 | 17 |
| MHCS 7 | OSS 117 | Gottwald 7 | 160 | 35 - 38 | 750 | 415 | 175 | 170 | 75 | 130 | 41 | 80 | 48 | 65 | 60 | 25 |
| MHCS 8 | OSS 119 | Gottwald 8 | 200 | 39 - 43 | 1000 | 476 | 198 | 190 | 88 | 136 | 46 | 90 | 53 | 75 | 70 | 32 |
| MHCS 9 | OSS 129 | Gottwald 9 | 280 | 46 - 54 | 1500 | 580 | 235 | 235 | 110 | 170 | 50 | 106 | 67 | 95 | 80 | 55 |
| MHCS 10 | OSS 133 | Gottwald 10 | 400 | 56 - 60 | 2500 | 630 | 265 | 245 | 120 | 190 | 54 | 126 | 72 | 110 | 90 | 76 |
| MHCS 11 | OSS 137 | Gottwald 11 | 450 | 61 - 65 | 4000 | 705 | 295 | 285 | 125 | 200 | 56 | 144 | 78 | 118 | 100 | 96 |

MBL = Minimum Breaking Load

All sockets are supplied with hot dipped galvanized finish or available in aqua-blue primer (RAL 5018).

For more information read our 'Warnings and instructions for use'.



Available for wire rope sizes from \varnothing 31 mm to \varnothing 65 mm with an efficiency rating of 100%. Standard with bolt, nut and cotter pin. Also available with Roller.