



Open DIN Sockets

AQUALLINE OPEN DIN SOCKET. MM DIMENSIONS

Model Number	MBL (Mtons)	For Wire Rope Ø mm	Approx. Resin Volume (cc)	Dimensions (mm)										Weight (kg)
				A	B	C	D	E	F	G	ØH	ØK	ØP	
ODS 1.6	12	12 - 14	30	149	60	65	24	44	14	27	17	32	20	1
ODS 2.5	20	14 - 18	50	177	69	79	29	52	16	33	20	38	24	1.6
ODS 3	25	16 - 20	80	198	78	87	33	58	18	38	23	43	27	2.1
ODS 4	30	18 - 22	100	215	84	96	35	62	20	42	25	46	30	2.9
ODS 5	40	20 - 24	125	242	94	106	42	74	23	47	27	50	36	4.3
ODS 6	50	22 - 28	150	265	106	114	45	80	25	53	30	54	39	6
ODS 8	60	26 - 30	200	292	115	127	50	90	27	60	33	60	45	8.5
ODS 10	70	28 - 34	270	321	125	140	56	100	29	66	36	65	48	11.5
ODS 12	80	32 - 38	400	354	140	156	58	104	33	73	40	70	52	15
ODS 16	120	36 - 42	600	399	159	173	67	120	36	81	45	80	60	21.5
ODS 20	160	40 - 44	750	437	174	190	73	130	42	90	51	90	68	28
ODS 25	200	44 - 48	1000	488	190	215	83	150	63	100	55	100	72	42
ODS 32	250	50 - 54	1400	525	209	231	95	170	70	110	65	118	80	60
ODS 40	320	58 - 64	2000	596	237	263	107	190	79	125	75	132	90	75
ODS 50	400	62 - 68	2700	658	262	288	110	200	84	140	80	150	100	113

AQUALLINE OPEN DIN SOCKET. INCH DIMENSIONS

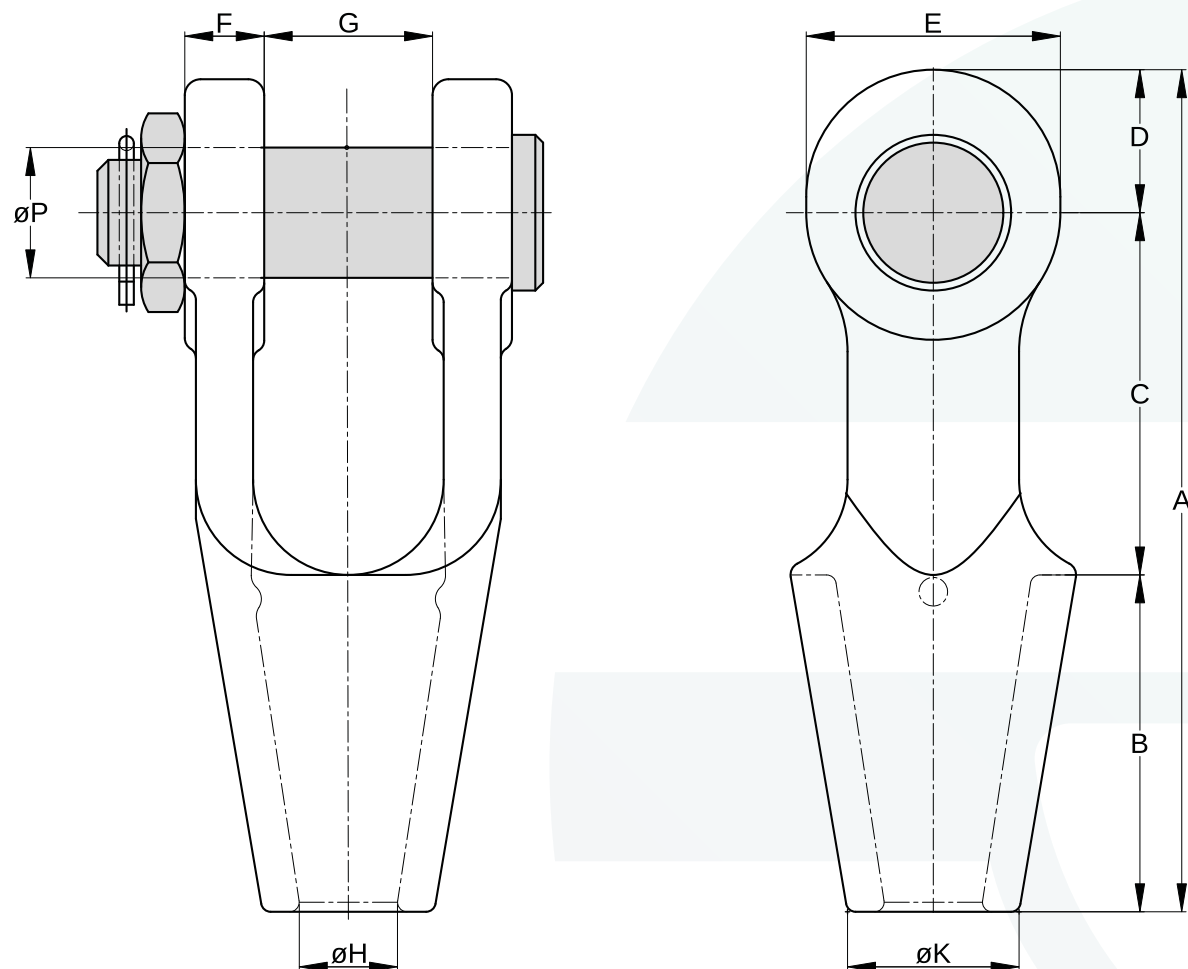
Model Number	MBL (Mtons)	For Wire Rope Ø inch	Approx. Resin Volume (cc)	Dimensions (inch)										Weight (lbs)
				A	B	C	D	E	F	G	ØH	ØK	ØP	
ODS 1.6	12	1/2 - 7/16	30	5.9	2.4	2.5	0.95	1.7	0.55	1.1	0.7	1.3	0.8	2.2
ODS 2.5	20	7/16 - 9/16	50	7	2.7	3.1	1.15	2	0.63	1.3	0.8	1.5	0.95	4
ODS 3	25	5/8 - 3/4	80	7.8	3.1	3.4	1.3	2.3	0.7	1.5	0.9	1.7	1.1	5
ODS 4	30	9/16 - 7/8	100	8.5	3.3	3.8	1.4	2.4	0.8	1.7	1.0	1.8	1.2	7
ODS 5	40	3/4 - 1	125	9.5	3.7	4.2	1.7	2.9	0.9	1.9	1.1	2	1.4	10
ODS 6	50	7/8 - 1 1/8	150	10.5	4.2	4.5	1.8	3.2	1	2.1	1.2	2.1	1.5	13
ODS 8	60	1 - 1 3/16	200	11.5	4.5	5	2	3.5	1.1	2.4	1.3	2.4	1.8	19
ODS 10	70	1 1/8 - 1 5/16	270	12.6	4.9	5.5	2.2	3.9	1.2	2.5	1.4	2.6	1.9	25
ODS 12	80	1 1/4 - 1 1/2	400	14	5.5	6.1	2.3	4.1	1.3	2.9	1.6	2.8	2	33
ODS 16	120	1 3/8 - 1 5/8	600	15.7	6.3	6.8	2.6	4.7	1.4	3.2	1.8	3.2	2.4	48
ODS 20	160	1 5/8 - 1 3/4	750	17.2	6.9	7.5	2.9	5.1	1.6	3.5	2	3.5	2.7	62
ODS 25	200	1 3/4 - 1 7/8	1000	19.1	7.5	8.5	3.3	5.9	2.5	3.9	2.2	4	2.8	92
ODS 32	250	1 15/16 - 2 1/4	1400	20.7	8.2	9.1	3.7	6.7	2.8	4.3	2.6	4.6	3.2	132
ODS 40	320	2 1/4 - 2 1/2	2000	23.5	9.3	10.4	4.2	7.5	3.1	4.9	2.9	5.2	3.5	165
ODS 50	400	2 7/16 - 2 5/8	2700	26	10.3	11.3	4.3	7.9	3.3	5.5	3.1	5.9	3.9	250

MBL = Minimum Breaking Load

All sockets are supplied with hot dipped galvanized finish. ODS 10 - ODS 50 are also available in aqua-blue primer (RAL 5018).

For more information read our 'Warnings and instructions for use'.

with bolt



Available for wire rope sizes from \varnothing 12 mm to \varnothing 68 mm (1/2" to 2 5/8") with an efficiency rating of 100%. Standard with bolt, nut and cotter pin. Meets the performance requirements of the DIN 83313 norm and exceeds the required MBL.