



Open JIS Sockets

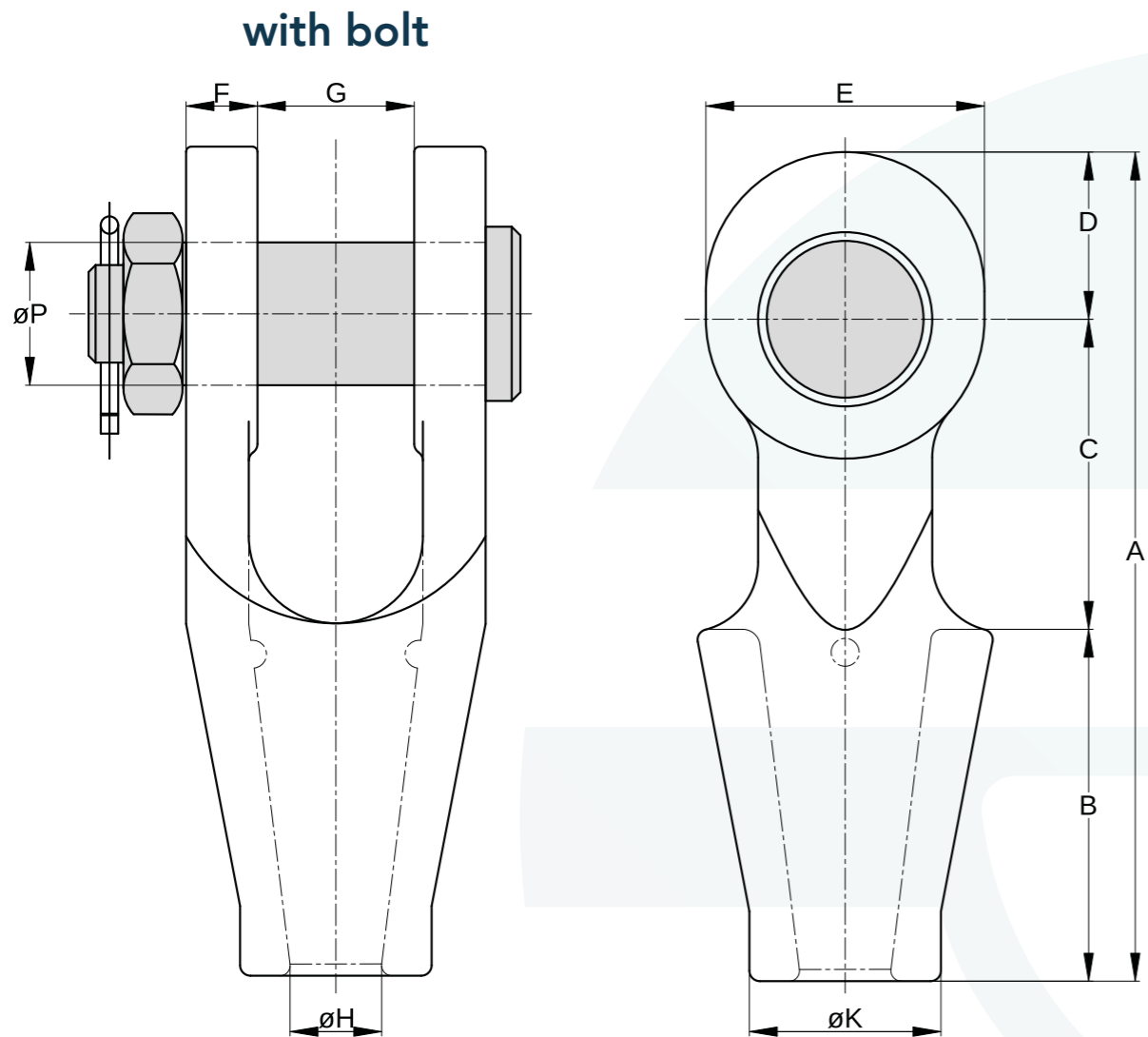
AQUALLINE OPEN JIS SOCKET. MM DIMENSIONS

Model Number	MBL (Mtons)	For Wire Rope Ø mm	Approx. Resin Volume (cc)	Dimensions (mm)										Weight (kg)
				A	B	C	D	E	F	G	ØH	ØK	ØP	
OJS 16	24	15 - 16	50	183	76	75	32	56	13	32	20	39	25	1.7
OJS 18	30	17 - 18	80	207	89	80	38	64	15	38	23	45	28	2.6
OJS 20	36	19 - 20	125	220	95	85	40	70	16.5	42	25	48	31	3.6
OJS 22	40	21 - 22	160	235	101	89	45	80	20.5	45	30	58	34	5.1
OJS 24	48	23 - 24	175	264	114	101	49	86	22.5	51	32	62	37	6.7
OJS 25	60	25 - 26	200	276	120	105	51	90	22.5	51	34	65	40	7.5
OJS 28	72	27 - 28	230	299	127	114	58	100	25	57	36	70	43	10
OJS 30	80	29 - 30	300	313	135	118	60	104	25	57	38	75	46	11
OJS 32	90	31 - 32	350	331	139	127	65	110	28	63	41	83	49	14.2
OJS 34	100	33 - 34	400	347	150	130	67	114	28	63	43	83	52	16
OJS 36	110	35 - 36	450	370	160	138	72	124	30	70	45	90	55	19
OJS 38	120	37 - 38	500	389	170	145	74	128	30	72	47	90	58	22
OJS 40	135	39 - 40	600	406	175	155	76	130	33.5	76	50	97	61	27
OJS 42	150	41 - 43	700	430	191	160	79	136	39	80	53	100	65	36

AQUALLINE OPEN JIS SOCKET. INCH DIMENSIONS

Model Number	MBL (Mtons)	For Wire Rope Ø inch	Approx. Resin Volume (cc)	Dimensions (inch)										Weight (lbs)
				A	B	C	D	E	F	G	ØH	ØK	ØP	
OJS 16	24	5/8	50	7.20	3.00	3.00	1.26	2.20	0.50	1.26	0.80	1.50	1.00	3.8
OJS 18	30	11/16	80	8.15	3.50	3.15	1.50	2.50	0.60	1.50	0.90	1.80	1.10	5.7
OJS 20	36	3/4	125	8.70	3.75	3.35	1.60	2.75	0.65	1.65	1.00	1.90	1.20	8
OJS 22	40	7/8	160	9.25	4.00	3.50	1.80	3.15	0.80	1.77	1.20	2.30	1.34	11.2
OJS 24	48	15/16	175	10.40	4.50	4.00	1.90	3.40	0.90	2.00	1.26	2.40	1.46	14.8
OJS 25	60	1	200	10.90	4.75	4.14	2.00	3.50	0.90	2.00	1.34	2.60	1.57	16.5
OJS 28	72	1 1/8	230	11.80	5.00	4.50	2.30	4.00	1.00	2.25	1.42	2.80	1.70	22
OJS 30	80	1 3/16	300	12.30	5.30	4.65	2.40	4.10	1.00	2.25	1.50	3.00	1.80	24
OJS 32	90	1 1/4	350	13.00	5.50	5.00	2.50	4.30	1.10	2.50	1.61	3.30	1.93	31
OJS 34	100	1 5/16	400	13.70	5.90	5.10	2.60	4.50	1.10	2.50	1.70	3.30	2.00	35
OJS 36	110	1 3/8	450	14.60	6.30	5.40	2.80	4.90	1.20	2.75	1.77	3.50	2.17	42
OJS 38	120	1 1/2	500	15.30	6.70	5.70	2.90	5.00	1.20	2.80	1.85	3.50	2.30	48
OJS 40	135	1 9/16	600	16.00	6.90	6.10	3.00	5.10	1.32	3.00	1.97	3.80	2.40	60
OJS 42	150	1 5/8	700	16.90	7.50	6.30	3.10	5.40	1.53	3.15	2.10	4.00	2.60	80

MBL = Minimum Breaking Load
 All sockets are supplied with hot dipped galvanized finish.
 For more information read our 'Warnings and instructions for use'.



Available for wire rope sizes from \varnothing 15 mm to \varnothing 43 mm (5/8" to 1 5/8") with an efficiency rating of 100%. Standard with bolt, nut and cotter pin. Meets the performance requirements of the JIS F 3432-1995 norm and exceeds the required MBL.