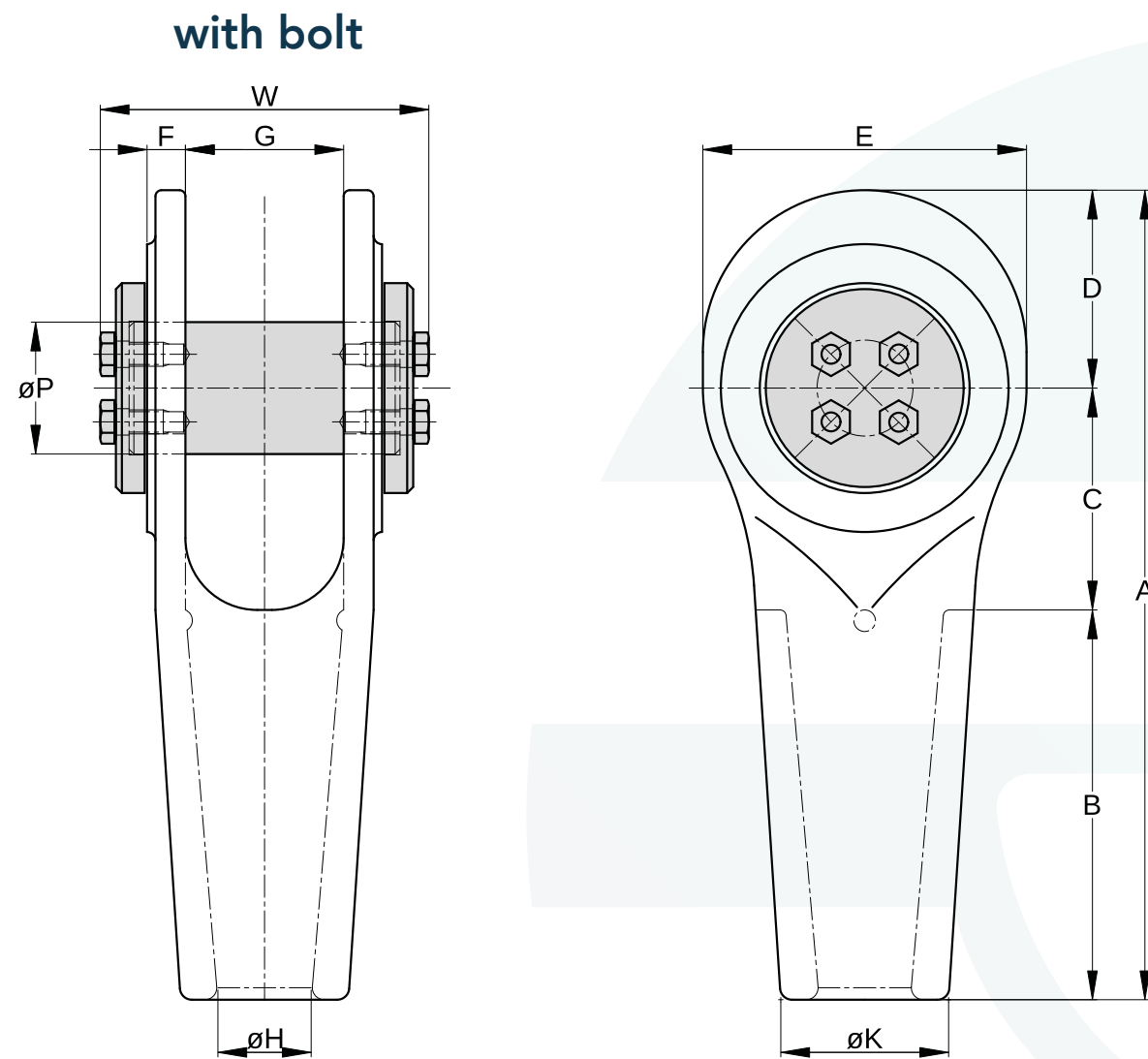




Open Strand Spelter Sockets

AQUALLINE OPEN STRAND SPELTER SOCKET. MM DIMENSIONS



Model Number	MBL (Mtons)	Structural Strand Ø mm	Approx. Resin Volume (cc)	Dimensions (mm)											Weight (kg)
				A	B	C	D	E	F	G	ØH	ØK	ØP	W	
OSSS 420	50	20	100	225	100	70	55	90	12.5	46	27	48	40	120	3.5
OSSS 425	70	25	160	275	125	80	66	110	14.5	57	32	57	45	135	6
OSSS 430	100	30	220	318	150	90	78	130	17.5	68	37	66	55	160	10
OSSS 435	125	35	400	355	175	95	85	140	19.5	74	44	78	60	175	15
OSSS 440	175	40	800	395	200	105	95	160	22	84	49	86	65	185	18
OSSS 445	225	45	1200	446	225	115	106	176	24	92	57	98	75	210	27
OSSS 450	280	50	1600	503	250	130	123	200	26	104	62	108	85	230	35
OSSS 455	360	55	2000	560	275	150	135	220	28	112	67	116	90	250	52
OSSS 460	450	60	2500	613	300	165	148	240	30	124	74	130	100	265	70
OSSS 465	500	65	3000	675	325	185	165	270	33	132	80	140	110	280	86
OSSS 470	560	70	4000	728	350	200	178	290	37	143	87	150	120	300	111
OSSS 475	600	75	5000	785	375	220	190	310	39	158	92	162	130	340	160
OSSS 480	700	80	6000	838	400	235	203	330	45	168	98	173	140	360	190
OSSS 485	800	85	7000	895	420	260	215	350	51	178	104	188	145	400	230
OSSS 490	900	90	8000	950	440	275	235	380	57	190	111	208	154	425	275
OSSS 495	1000	95	9000	1040	450	330	260	410	62	198	120	255	164	450	350

AQUALLINE OPEN STRAND SPELTER SOCKET. INCH DIMENSIONS

Model Number	MBL (Mtons)	Structural Strand Ø inch	Approx. Resin Volume (cc)	Dimensions (inch)											Weight (lbs)
				A	B	C	D	E	F	G	ØH	ØK	ØP	W	
OSSS 420	50	3/4	100	8.90	4.00	2.80	2.15	3.50	0.50	1.80	1.00	1.90	1.57	4.70	8
OSSS 425	70	1	160	10.90	5.00	3.15	2.60	4.30	0.60	2.40	1.20	2.40	1.77	5.30	13
OSSS 430	100	1 1/8	220	12.50	6.00	3.50	3.10	5.10	0.70	2.70	1.40	2.60	2.16	6.30	22
OSSS 435	125	1 3/8	400	14.00	7.00	3.70	3.40	5.50	0.80	2.90	1.70	3.10	2.36	6.90	32
OSSS 440	175	1 5/8	800	15.50	8.00	4.10	3.70	6.30	0.86	3.30	1.90	3.40	2.55	7.30	40
OSSS 445	225	1 3/4	1200	17.60	8.90	4.50	4.20	6.90	0.90	3.60	2.20	3.90	2.95	8.30	60
OSSS 450	280	2	1600	19.80	9.90	5.10	4.80	7.80	1.00	4.10	2.40	4.30	3.40	9.00	75
OSSS 455	360	2 1/8	2000	22.00	10.80	6.00	5.30	8.70	1.10	4.40	2.60	4.60	3.54	9.90	110
OSSS 460	450	2 3/8	2500	24.10	11.80	6.50	5.80	9.50	1.20	4.90	2.80	5.10	3.95	10.40	150
OSSS 465	500	2 1/2	3000	26.60	12.80	7.30	6.50	10.60	1.30	5.20	3.10	5.50	4.30	11.00	180
OSSS 470	560	2 3/4	4000	28.70	13.80	7.90	7.00	11.40	1.50	5.60	3.40	5.90	4.70	11.80	240
OSSS 475	600	3	5000	30.90	14.80	8.70	7.50	12.20	1.60	6.20	3.50	6.40	5.10	13.40	350
OSSS 480	700	3 1/4	6000	33.00	15.70	9.30	8.00	13.00	1.80	6.60	3.80	6.80	5.50	14.20	420
OSSS 485	800	3 1/3	7000	35.20	16.50	10.20	8.50	13.80	2.00	7.00	4.00	7.40	5.70	15.70	510
OSSS 490	900	3 1/2	8000	37.40	17.30	10.80	9.20	15.00	2.20	7.50	4.30	8.20	6.10	16.70	600
OSSS 495	1000	3 3/4	9000	41.00	18.00	13.00	10.20	16.10	2.40	7.80	4.70	10.00	6.50	17.70	770

MBL = Minimum Breaking Load

All sockets are supplied with hot dipped galvanized finish or available in aqua-blue primer (RAL 5018).

For more information read our 'Warnings and instructions for use'.



Available in sizes from Ø 20 mm to Ø 95 mm structural strand (3/4" to 3 3/4") with an efficiency rating of 100%. Standard version with bolt and two retainer plates.