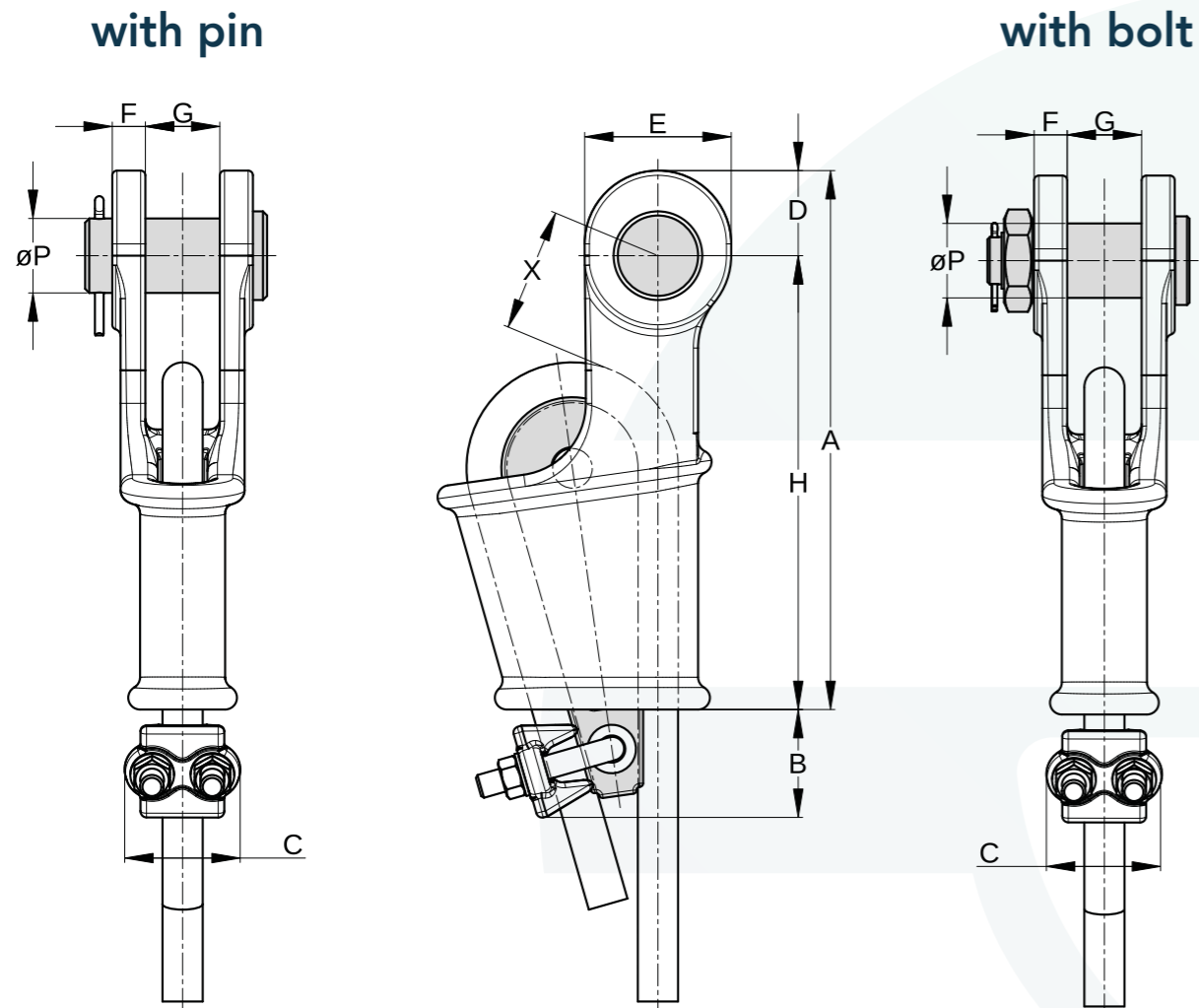




Open Wedge Sockets with Integrated Tail Clamp



AQUALLINE OPEN WEDGE SOCKET WITH INTEGRATED TAIL CLAMP. MM DIMENSIONS

Model Number	MBL (Mtons)	For Wire Rope Ø mm	Dimensions (mm)										Weight (kg)
			A	B	C	D	E	F	G	H	ØP	X	
OWS ITC 0.15	5	5 - 6	101	35	37	17	30	8	17	84	16	35	0.5
OWS ITC 0.25	8	7 - 8	130	40	43	20	34	9	18	110	17.5	40	0.8
OWS ITC 0.5	12	9 - 10	150	50	50	23	40	11	20.5	125	20.6	45	1.4
OWS ITC 1	20	11 - 13	183	55	58	27	48	12.7	25.6	156	25.4	60	2.7
OWS ITC 2	25	14 - 16	224	60	64	32	56	14.5	32	192	30	65	4.3
OWS ITC 3	40	17 - 19	272	65	72	40	68	16.5	38	232	35	70	6.7
OWS ITC 4	55	20 - 22	312	75	80	48	80	20.5	45	264	41	80	10.5
OWS ITC 5	80	23 - 26	370	80	88	58	100	22.5	51	312	51	90	16.5
OWS ITC 6	100	27 - 29	413	85	91	65	110	25	57	348	57	100	23
OWS ITC 7	120	30 - 32	455	90	105	72	124	28	63	384	63	110	32
OWS ITC 8	130	34 - 36	508	95	106	76	132	28	70	432	63	125	40.5

AQUALLINE OPEN WEDGE SOCKET WITH INTEGRATED TAIL CLAMP. INCH DIMENSIONS

Model Number	MBL (Mtons)	For Wire Rope Ø inch	Dimensions (inch)										Weight (lbs)
			A	B	C	D	E	F	G	H	ØP	X	
OWS ITC 0.15	5	1/4	4	1.38	1.46	0.67	1.18	0.31	0.67	3.30	0.63	1.38	1.1
OWS ITC 0.25	8	5/16	5.12	1.57	1.69	0.80	1.34	0.35	0.70	4.30	0.69	1.60	1.8
OWS ITC 0.5	12	3/8	5.90	1.97	1.97	0.90	1.60	0.43	0.83	4.92	0.81	1.77	3
OWS ITC 1	20	7/16 - 1/2	7.20	2.17	2.28	1.06	1.90	0.50	1.00	6.14	1.00	2.36	5.9
OWS ITC 2	25	9/16 - 5/8	8.80	2.36	2.52	1.26	2.20	0.57	1.26	7.56	1.18	2.56	9.5
OWS ITC 3	40	3/4	10.70	2.56	2.83	1.58	2.76	0.65	1.50	9.13	1.38	2.76	15
OWS ITC 4	55	7/8	12.30	2.95	3.15	1.90	3.15	0.81	1.77	10.40	1.60	3.15	23
OWS ITC 5	80	1	14.60	3.15	3.46	2.28	3.94	0.89	2.00	12.30	2.00	3.54	36.5
OWS ITC 6	100	1 1/8	16.30	3.35	3.58	2.60	4.33	1.00	2.25	13.70	2.25	3.94	51
OWS ITC 7	120	1 1/4	17.90	3.54	4.13	2.80	4.80	1.10	2.50	15.10	2.50	4.33	70
OWS ITC 8	130	1 3/8	20.00	3.74	4.17	3.00	5.20	1.10	2.75	17.00	2.50	4.92	89

RECOMMENDED WIRE ROPE CLIP SIZE FOR OWS ITC

OWS Model Number	0.15	0.25	0.5	1	2	3	4	5	6	7	8
WRC Model Number	005	008	010	013	016	019	022	026	029	032	035
MM Dimensions	5 - 6	7 - 8	9 - 10	11 - 13	14 - 16	17 - 19	20 - 22	23 - 26	27 - 29	30 - 32	35 - 36
Inch Dimensions	3/16	5/16	3/8	1/2	5/8	3/4	7/8	1	1 1/8	1 1/4	1 3/8
Torque Nm	10	41	61	88	130	177	306	306	306	490	490
Torque ft-lbs	7.5	30	45	65	95	130	225	225	225	360	360

MBL = Minimum Breaking Load

B & X = Depending on the actual wire rope diameter, rope construction and fill factor

All sockets are supplied with hot dipped galvanized finish. OWS ITC 4 - OWS ITC 8 are also available in aqua-blue primer (RAL 5018).

For more information read our 'Warnings and instructions for use'.

Available for wire rope sizes from \varnothing 5 mm to \varnothing 36 mm (1/4" to 1 3/8") with an efficiency rating of 85-92%. Standard version with pin and cotter pin. Also available with bolt, nut and cotter pin. Meets the performance requirements of the EN 13411-6 norm.