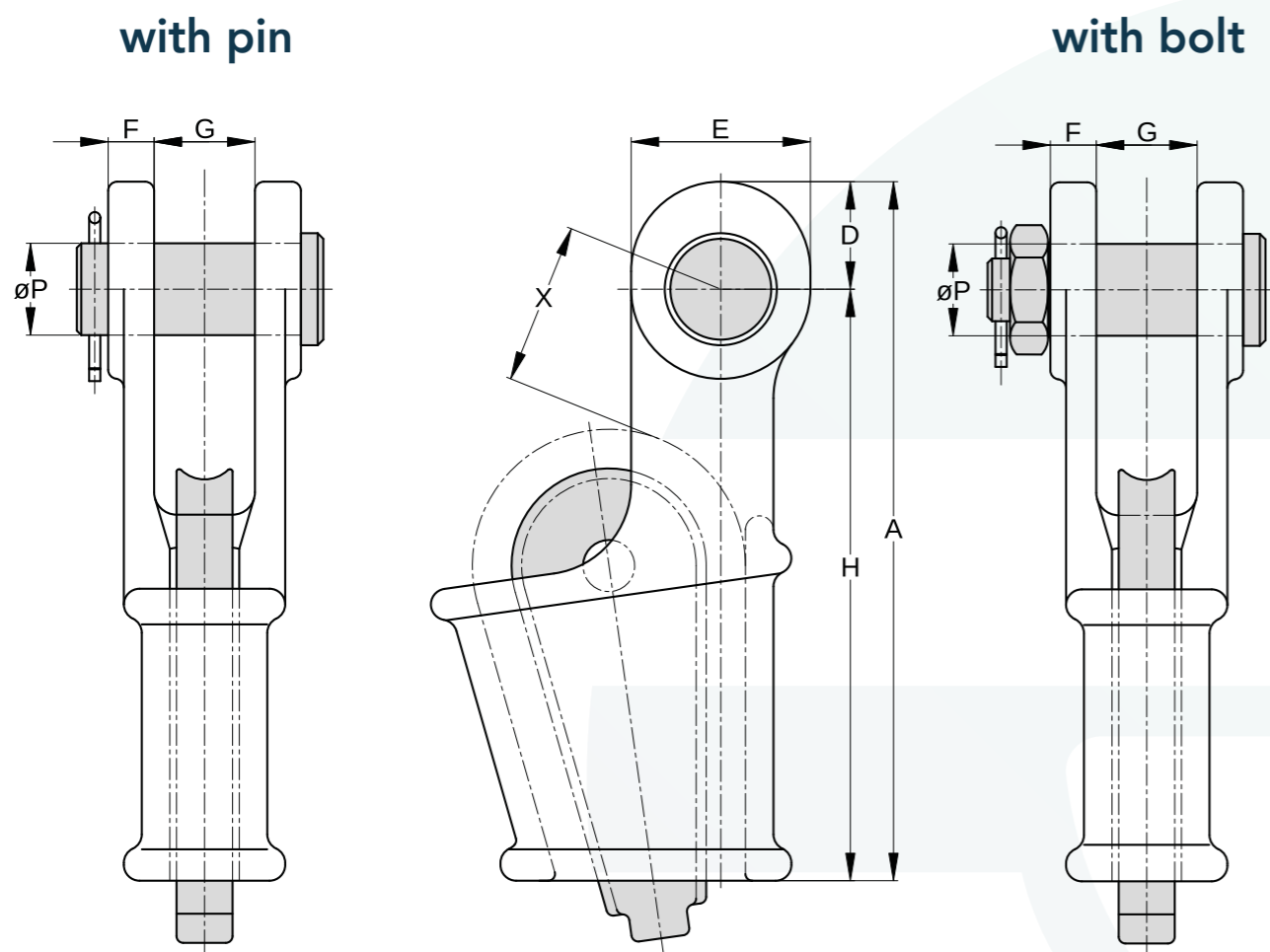




# Open Wedge Sockets



## AQUALLINE OPEN WEDGE SOCKET. MM DIMENSIONS

Model Number	MBL (Mtons)	For Wire Rope Ø mm	Dimensions (mm)								Weight (kg)
			A	D	E	F	G	H	ØP	X	
OWS 0.15	5	5 - 6	101	17	30	8	17	84	16	35	0.5
OWS 0.25	8	7 - 8	130	20	34	9	18	110	17.5	40	0.7
OWS 0.5	12	9 - 10	150	23	40	11	20.5	125	20.6	45	1.2
OWS 1	20	11 - 13	183	27	48	12.7	25.6	156	25.4	60	2.3
OWS 2	25	14 - 16	224	32	56	14.5	32	192	30	65	3.6
OWS 3	40	17 - 19	272	40	68	16.5	38	232	35	70	6.3
OWS 4	55	20 - 22	312	48	80	20.5	45	264	41	80	10.3
OWS 5	80	23 - 26	370	58	100	22.5	51	312	51	90	16
OWS 6	100	27 - 29	413	65	110	25	57	348	57	100	21.5
OWS 7	120	30 - 32	455	72	124	28	63	384	63	110	30
OWS 8	130	34 - 36	508	76	132	28	70	432	63	125	36
OWS 9	160	37 - 39	548	80	140	30	76	468	70	140	50
OWS 10	200	40 - 42	589	85	150	33	76	504	76	155	60
OWS 11	250	43 - 48	674	98	170	39	89	576	89	175	90
OWS 12	300	49 - 52	733	108	186	46	101	625	95	195	125
OWS 13	375	54 - 58	816	120	210	53	113	696	108	220	175
OWS 14	450	60 - 68	950	133	230	60	127	817	121	250	250
OWS 15	600	72 - 76	1057	145	250	76	146	912	133	280	400
OWS 16	650	81 - 86	1160	160	275	79	159	1000	140	330	515

## AQUALLINE OPEN WEDGE SOCKET. INCH DIMENSIONS

Model Number	MBL (Mtons)	For Wire Rope Ø inch	Dimensions (inch)								Weight (lbs)
			A	D	E	F	G	H	ØP	X	
OWS 0.15	5	1/4	4	0,67	1,18	0,31	0,67	3,3	0,63	1,38	1.2
OWS 0.25	8	5/16	5.12	0.80	1.34	0.35	0.70	4.30	0.69	1.60	1.6
OWS 0.5	12	3/8	5.90	0.90	1.60	0.43	0.83	4.92	0.81	1.77	2.6
OWS 1	20	7/16 - 1/2	7.20	1.06	1.90	0.50	1.00	6.14	1.00	2.36	4.6
OWS 2	25	9/16 - 5/8	8.80	1.26	2.20	0.57	1.26	7.56	1.18	2.56	8
OWS 3	40	3/4	10.70	1.58	2.76	0.65	1.50	9.13	1.38	2.76	14
OWS 4	55	7/8	12.30	1.90	3.15	0.81	1.77	10.40	1.60	3.15	22.5
OWS 5	80	1	14.60	2.28	3.94	0.89	2.00	12.30	2.00	3.54	35
OWS 6	100	1 1/8	16.30	2.60	4.33	1.00	2.25	13.70	2.25	3.94	47.5
OWS 7	120	1 1/4	17.90	2.80	4.80	1.10	2.50	15.10	2.50	4.33	66
OWS 8	130	1 3/8	20.00	3.00	5.20	1.10	2.75	17.00	2.50	4.92	79
OWS 9	160	1 1/2	21.50	3.15	5.50	1.20	3.00	18.40	2.75	5.50	110
OWS 10	200	1 5/8	23.20	3.35	5.90	1.30	3.00	19.85	3.00	6.10	132
OWS 11	250	1 3/4 - 1 7/8	26.50	3.86	6.70	1.53	3.50	22.70	3.50	6.90	198
OWS 12	300	2	28.90	4.25	7.32	1.81	4.00	24.60	3.75	7.70	275
OWS 13	375	2 1/4	32.10	4.70	8.26	2.10	4.50	27.40	4.25	8.66	385
OWS 14	450	2 1/2	37.40	5.24	9.10	2.36	5.00	32.10	4.75	9.84	550
OWS 15	600	3	41.60	5.70	9.84	3.00	5.75	35.90	5.25	11.00	880
OWS 16	650	3 1/4 - 3 3/8	45.70	10.80	10.80	3.10	6.25	39.40	5.50	13.00	1130

MBL = Minimum Breaking Load

X = Depending on the actual wire rope diameter, rope construction and fill factor

All sockets are supplied with hot dipped galvanized finish. OWS 4 - OWS 16 are also available in aqua-blue primer (RAL 5018).

For more information read our 'Warnings and instructions for use'.

Available for wire rope sizes from  $\varnothing$  5 mm to  $\varnothing$  86 mm (1/4" to 3 3/8") with an efficiency rating of 85-92%. Standard version with pin and cotter pin. Also available with bolt, nut and cotter pin.

Meets the performance requirements of the EN 13411-6 norm.